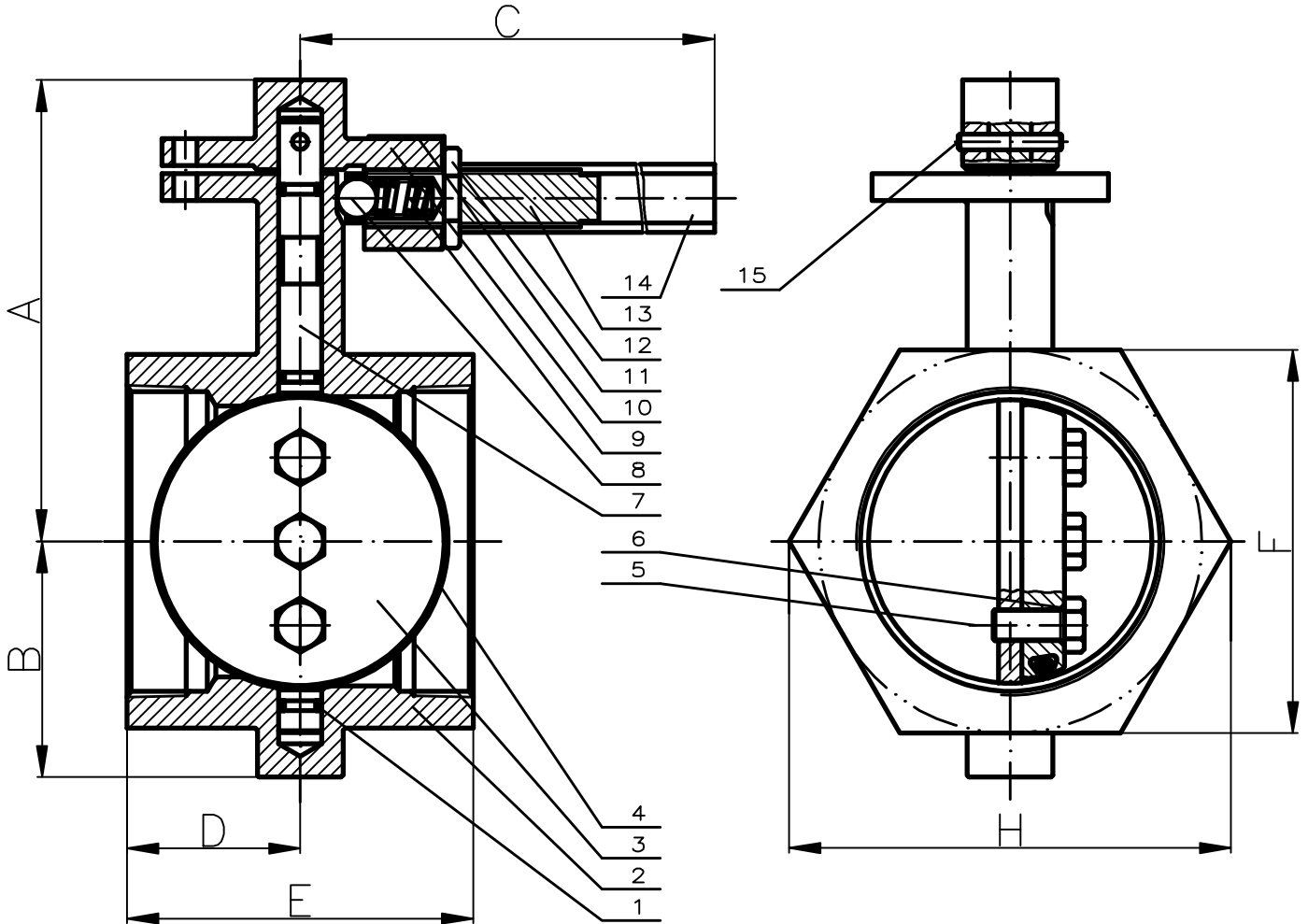




Half Butterfly Valve (DN50-150)



TECHNICAL DATE

SIZE	NOMINAL PRESSURE (PSI)	SHELL TESTING PRESSURE (PSI)	SEALING TESTING PRESSURE (PSI)	TESTING MEDIUMS		WORKING MEDIUMS	WORKING TEMPERATURE
				SHELL	SEALING		
2" - 6"	200	300	220	WATER	GAS	WATER OIL etc.	-23-C-93-C

Outline Dimensions & Connection Dimensions (mm):

SIZE	A	B	C	D	E	F	H	(Kg) Weight
2"	105.41 (4.15)	57.15 (2.25)	203.2 (8.00)	53.98 (2.13)	107.95 (4.25)	76.2 (3.00)	87.88 (3.46)	4.8
3"	152.91 (6.02)	69.85 (2.75)	203.2 (8.00)	61.72 (2.43)	123.70 (4.87)	103.12 (4.06)	119.13 (4.69)	7.1
4"	161.04 (6.34)	93.73 (3.69)	203.2 (8.00)	65.02 (2.56)	130.05 (5.12)	134.87 (5.31)	155.70 (6.13)	10.1
6"	231.24 (9.10)	120.65 (4.75)	330.2 (13.00)	88.9 (3.50)	177.8 (7.00)	196.85 (7.75)	277.33 (10.92)	21.8

Material List

NO.	Name	Material
15	Cone Pin	35(AISI 1035)
14	Handle Extension	Q235-A (ASTM A570Gr.33)
13	Handle Stub	Q235-A (ASTM A570Gr.33)
12	Handle Lock Nut	Q235-A (ASTM A570Gr.33)
11	Name Plate	L6(Aluminum)
10	Handle	Q1450-10 (ASTM A574-85-15-12)
9	Handle Spring	1Cr18Ni9 (ASTM A276-92 302)
8	Handle Ball	Steel
7	Stem	Y1Cr13 (ASTM A582 416)
6	O-Ring	NBR
5	Disc Stud	Y1Cr13 (ASTM A582 416)
4	Disc O-Ring	NBR
3	Disc	ZCuZn40Pb2 (ASTM B148-90 C95400)
2	Body	HT200 (ASTM A126-84 Cl. B)
1	Stem O-Ring	NBR
NO.	Name	Material