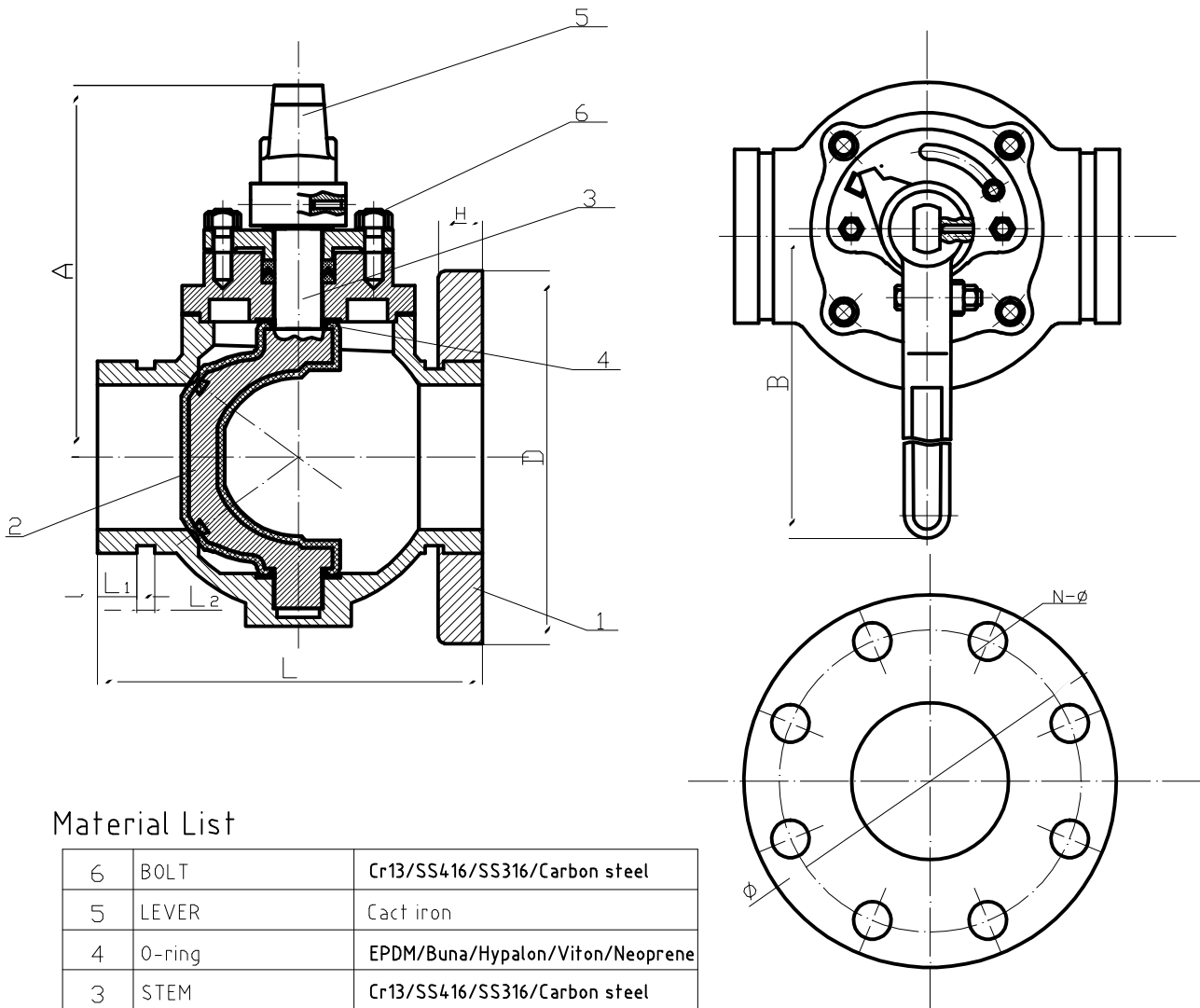




Eccentric Ball Valve(DN50-100)



Material List

6	BOLT	Cr13/SS416/SS316/Carbon steel
5	LEVER	Cast iron
4	O-ring	EPDM/Buna/Hypalon/Viton/Neoprene
3	STEM	Cr13/SS416/SS316/Carbon steel
2	DISC	DI+EPDM
1	BODY	DI/CI/Carbon steel
NO.	Parts name	Material

Outline Dimensions & Connection Dimensions(mm)

INCH	Dimension text								
	L	L ₁	L ₂	A	B	D	H	φ	N-φ
2"	178	16	8	130	300	155	18	120	4-19
3"	203	16	8	206	350	185	22	150	8-19
4"	229	16	10	248	440	210	24	175	8-19