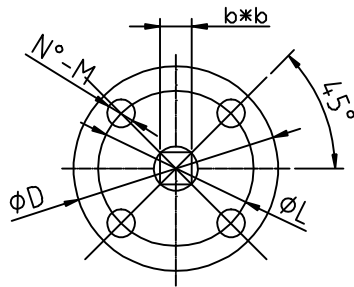
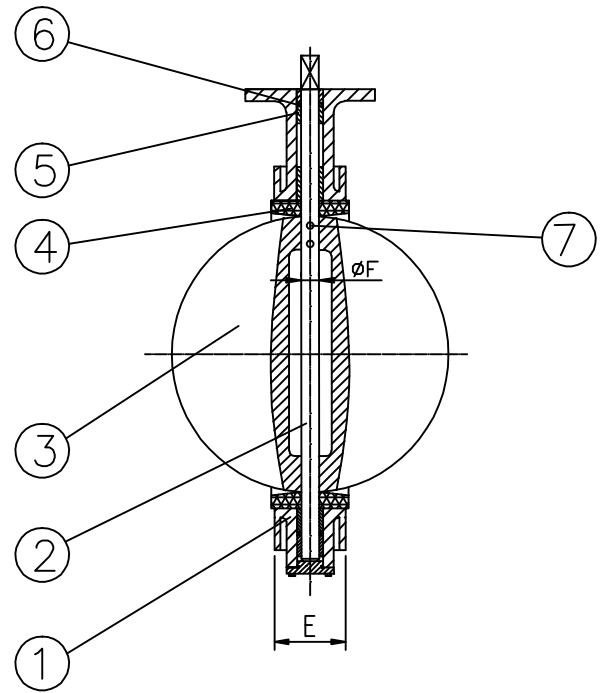
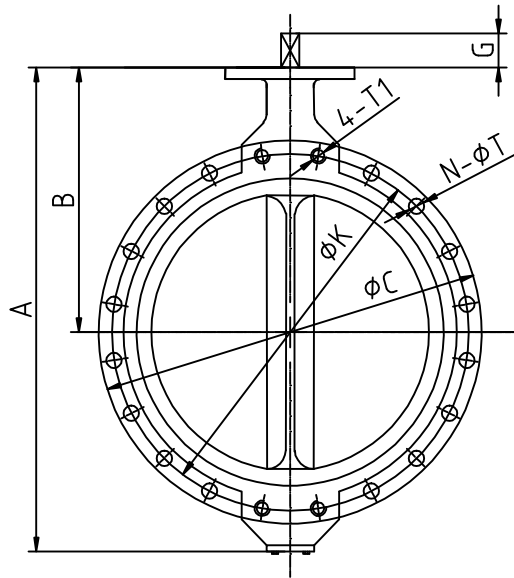
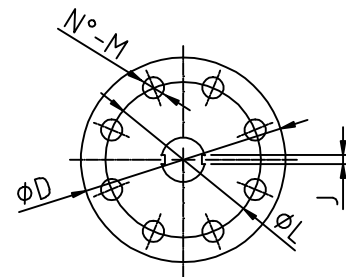




U type Butterfly Valve(DN50-1200)



DN50-DN400



DN450-DN1200

Material list

NO.	PARTS NAME	MATERIAL
1	BODY	Cast iron/Ductile iron/Stainless steel/Carbon steel
2	Upper shaft	SS416/Carbon steel/Tianium steel/SS316/Monel
3	DISC	Al-Bronze/CF8M/WCB/Ductile iron
4	SEAT	EPDM/PTFE/Buna/Hypalon/Viton/Neoprene
5	BUSHING	P.T.F.E./Lubricating
6	O-RING	EPDM/Buna/Hypalon/Viton/Neoprene
7	PIN	SS416/Carbon steel/Tianium steel/SS316/Monel

# Tianjin Outshine Valve Co., Ltd



Outline Dimensions & Connection Dimensions(mm)& Weight(Kg)

SIZE	A	B	C	D	E	F	G	K	L	N°-M	N-φT	4-T1	b×b	J	Weight
2"	220	140	165	92	42	14.3	30	125	70	4X9	4-φ18	--	11×11	--	6.5
2.5"	242	152	185	92	44.7	14.3	30	145	70	4X9	4-φ18	--	11×11	--	7.5
3"	246	159	200	92	45.2	14.3	30	160	70	4X9	8-φ18	--	11×11	--	8.4
4"	284	178	220	92	52.1	15.77	30	180	70	4X9	8-φ18	--	11×11	--	10.5
5"	314	191	250	92	54.4	18.92	30	210	70	4X9	8-φ18	--	14×14	--	14.2
6"	324	204	285	92	55.7	18.92	30	240	70	4X9	8-φ22	--	14×14	--	16.4
8"	390	238	340	125	60.1	22.1	40	295	70	4X9	12-φ22	--	17×17	--	25.2
10"	473	270	405	125	65.6	28.45	40	355	102	4X12	12-φ27	4-M24	22×22	--	38.6
12"	557	315	460	140	76.5	31.6	40	410	102	4X12	12-φ27	4-M24	22×22	--	50.3
14"	635	368	520	140	76	31.6	45	470	140	4X18	16-φ27	4-M24	22×22	--	80.8
16"	709	400	580	197	86.2	33.15	45	525	140	4X18	16-φ30	4-M27	27×27	--	116
18"	750	422	640	197	103.5	38	80	585	140	4X18	20-φ30	4-M27	27×27	--	151.
20"	841	480	715	197	129.5	41.15	80	650	140	4X18	20-φ33	4-M30	36×36	--	179.6
24"	1021	562	840	276	151	50.62	90	770	165	4X22	20-φ36	4-M33	36×36	16	243.7
28"	1144	624	910	300	162	63.35	90	840	254	8X18	24-φ36	4-M33	--	16	346
30"	1199	660	970	300	166	63.35	90	900	254	8X18	24-φ36	4-M33	--	16	428
32"	1263	672	1025	300	187	63.35	110	950	254	8X18	24-φ39	4-M36	--	16	515
36"	1376	720	1125	300	203	75	110	1050	254	8X18	28-φ39	4-M36	--	20	858
40"	1521	800	1255	300	216	85	110	1170	254	8X18	28-φ42	4-M39	--	20	919
44"	1741	925	1405	300	254	95	142	1314	254	8X18	28-φ42	4-M39	--	20	1150
48"	1784.8	940.7	1485	350	276	105	154	1390	298	8X22	28-φ48	4-M45	--	28	1588