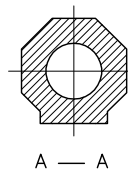
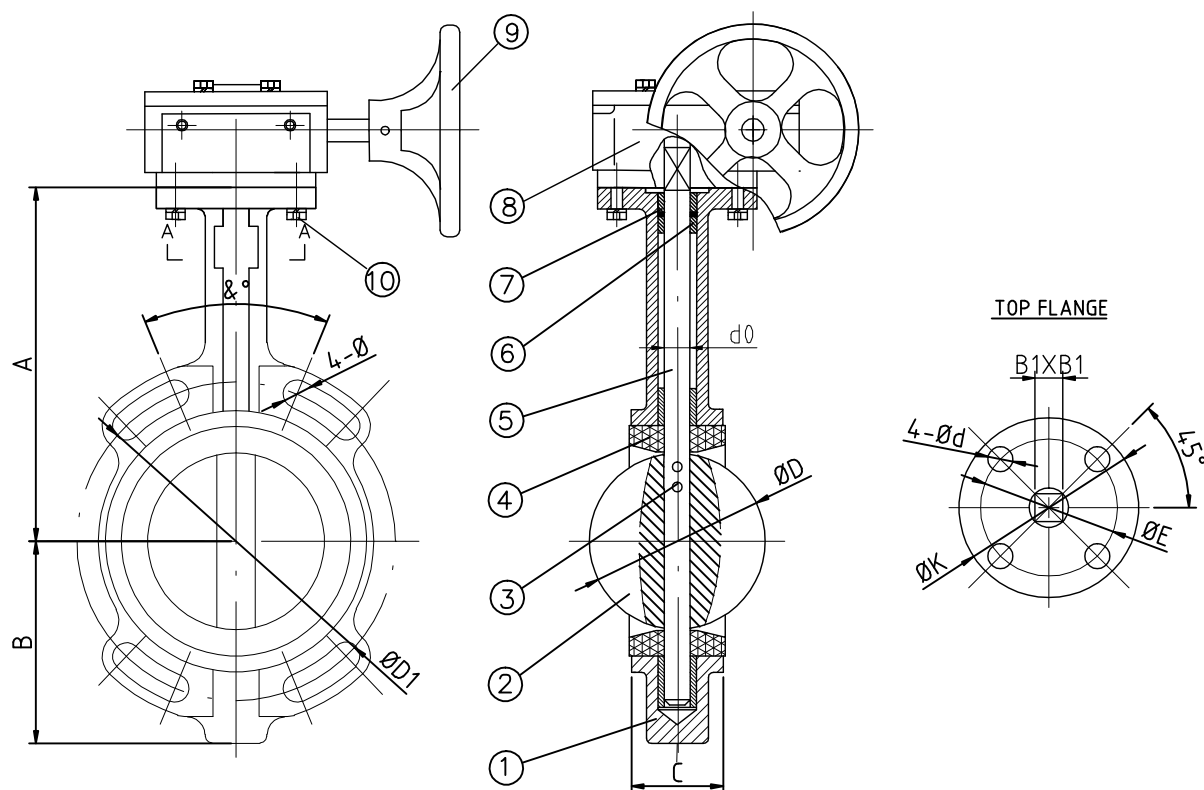


With Pin Wafer Butterfly Valve (DN50-300)



Material list

10	Bolt	CARBON STEEL
9	HAND WHEEL	Cast iron/Malleable Iron/Ductile Iron
8	WORM GEAR	Cast iron/Malleable Iron/Ductile Iron
7	O-RING	EPDM/Buna/Hypalon/Viton/Neoprene
6	BUSHING	P.T.F.E./Lubricating
5	STEM	Cr13/SS416/SS316/Carbon steel
4	SEAT	EPDM/PTFE/Buna/Hypalon/Viton/Neoprene
3	PIN	STAINLESS STEEL
2	DISC	Al-Bronze/CF8M/WCB/Ductile iron
1	BODY	Cast iron/Ductile iron/Stainless steel/Carbon steel
NO.	PARTS NAME	

Outline Dimensions & Connection Dimensions(mm) & Weight(KG)

SIZE	A	B	C	D	L0	d0	ISO5211	K	E	4-d	D1	4-Ø	&°	B1	Weight
2"	140	80	42	52.9	266	12.6	F07	92	70	10	125	4-19	90°	11	7.4
2.5"	150	89	44.7	64.5	266	12.6	F07	92	70	10	145	4-19	90°	11	7.7
3"	158	95	45.2	78.8	266	12.6	F07	92	70	10	160	4-19	45°	11	8.1
4"	176	114	52	104	266	15.77	F07	92	70	10	180	4-19	45°	11	9.5
5"	190	127	54.4	123.3	266	18.92	F07	92	70	10	210	4-19	45°	14	11.3
6"	201	139	55.8	155.1	266	18.92	F07	92	70	10	240	4-23	45°	14	13
8"	248	175	60.6	202.5	355	22.1	F10	125	102	12	295	4-23	45°	17	25.2
10"	276	203	65.6	250.5	355	28.45	F10	125	102	12	355	4-27	22.5°	22	31.8
12"	305	242	76.9	301.5	505	31.6	F10	140	102	12	410	4-27	22.5°	22	43.7