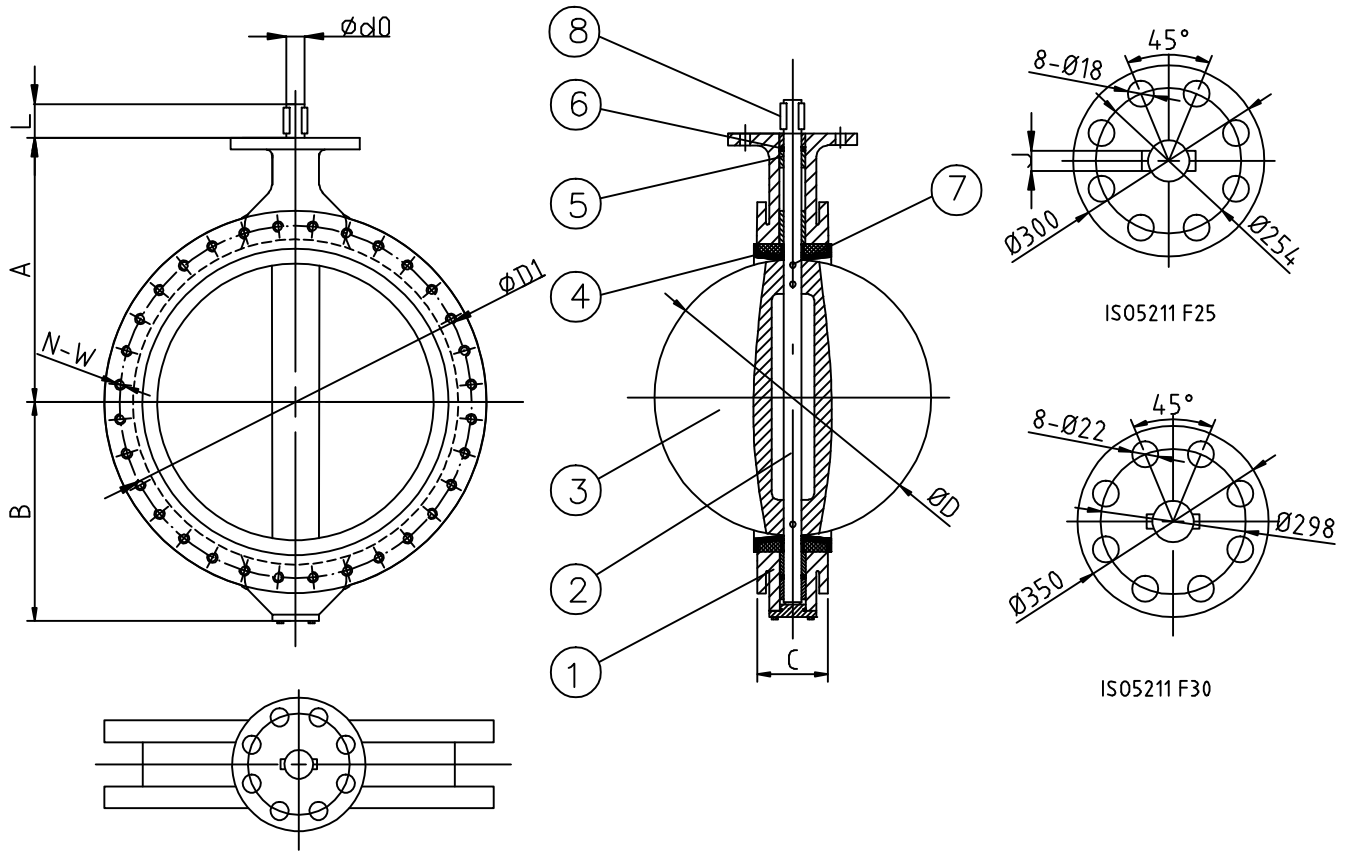




Lug Butterfly Valve(DN700-1200)



Material List

NO.	PARTS NAME	MATERIAL
1	BODY	Cast iron/Ductile iron/Stainless steel/Carbon steel
2	Upper shaft	SS416/Carbon steel/Tianium steel/SS316/Monel
3	DISC	Al-Bronze/Monel/CF8M/WCB/Ductile iron
4	SEAT	EPDM/PTFE/Buna/Hypalon/Viton/Neoprene
5	BUSHING	P.T.F.E./Lubricating
6	O-RING	EPDM/Buna/Hypalon/Viton/Neoprene
7	PIN	SS416/Carbon steel/Tianium steel/SS316/Monel
8	KEY	Carbon steel/Stainless steel

Outline Dimensions & Connection Dimensions (mm)

28"	624	520	163	695	63.35	F25	100	840	24-M33	18
30"	660	539	167	745	63.35	F25	110	900	24-M33	18
32"	672	591	188	795	63.35	F25	110	950	24-M36	18
36"	720	656	203	865	75	F25	118	1050	28-M36	20
40"	800	721	216	965	85	F25	142	1170	28-M39	20
48"	941	864	276	1180	105	F30	154	1390	32-M45	28
SIZE	A	B	C	D	d0	IS05211	L	$\phi D1$	N-W	JX2