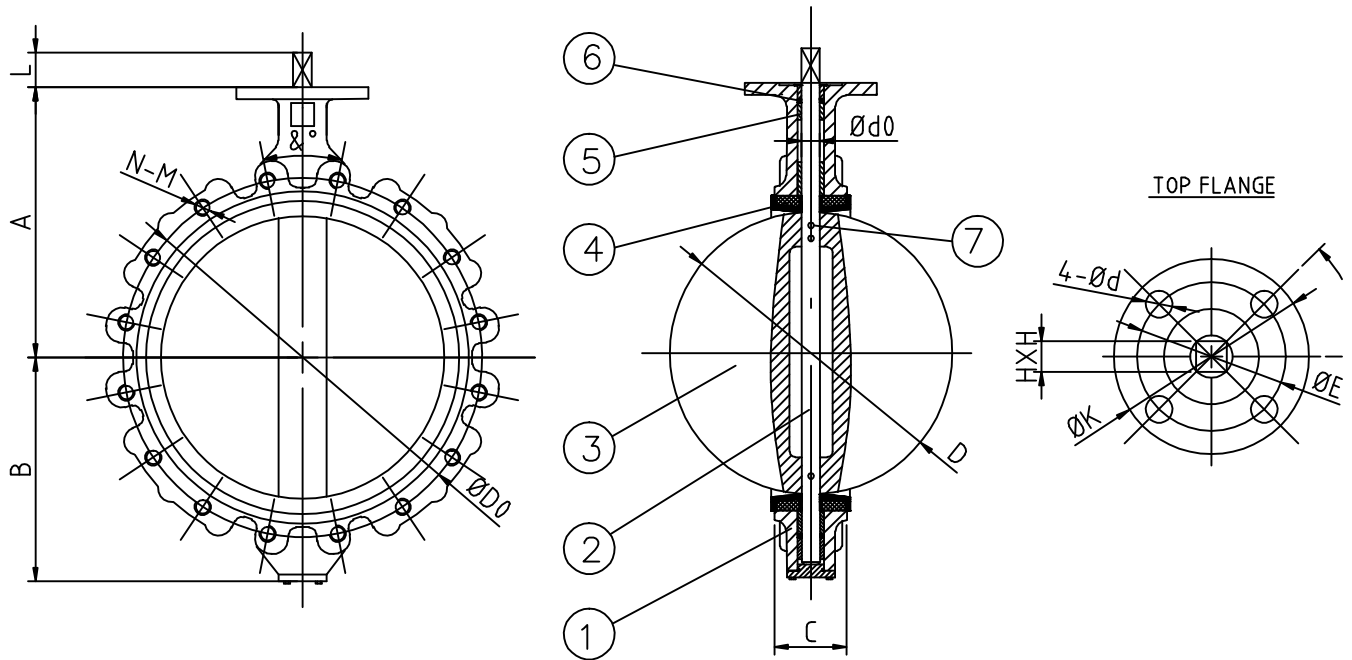




Lug Butterfly Valve(DN50-600)



Material List

NO.	PARTS NAME	MATERIAL
1	BODY	Cast iron/Ductile iron/Stainless steel/Carbon steel
2	Upper shaft	SS416/Carbon steel/Tianium steel/SS316/Monel
3	DISC	Al-Bronze/Monel/CF8M/WCB/Ductile iron
4	SEAT	EPDM/PTFE/Buna/Hypalon/Viton/Neoprene
5	BUSHING	P.T.F.E./Lubricating
6	O-RING	EPDM/Buna/Hypalon/Viton/Neoprene
7	PIN	SS416/Carbon steel/Tianium steel/SS316/Monel

Outline Dimensions & Connection Dimensions(mm) & Weight(Kg):

2"	161	80	42	52.7	12.6	32	F07	90	70	4-9	125	4-M16	11x11	90	3.8
2.5"	175	89	45.8	64.4	12.6	32	F07	90	70	4-9	145	4-M16	11x11	90	4.2
3"	181	95	45.8	74.7	12.6	32	F07	90	70	4-9	160	8-M16	11x11	45	4.7
4"	200	114	52	104	15.77	32	F07	90	70	4-9	180	8-M16	11x11	45	9.0
5"	213	127	55	123.3	18.92	32	F07	90	70	4-9	210	8-M16	14x14	45	10.9
6"	226	139	55.8	155.6	18.92	32	F07	90	70	4-9	240	8-M20	14x14	45	14.2
8"	260	175	61.6	202.5	22.1	45	F10	125	102	4-12	295	12-M20	17x17	30	18.2
10"	292	203	67.2	250.5	28.45	45	F10	125	102	4-12	355	12-M24	22x22	30	26.8
12"	337	242	76.9	301.5	31.6	45	F10	140	102	4-12	410	12-M24	22x22	30	40
14"	368	267	76.9	333.3	31.6	45	F10	140	102	4-12	470	16-M24	22x22	22.5	56
16"	400	309	86.5	389.6	33.15	52	F14	197	140	4-18	525	16-M27	27x27	22.5	96
18"	422	328	105.6	440.5	38	52	F14	197	140	4-18	585	20-M27	27x27	18	122
20"	480	361	131.8	491.6	41.15	65	F14	197	140	4-18	650	20-M30	36x36	18	202
24"	562	459	151.36	592.5	50.65	70	F14	276	165	4-20	770	20-M33	36x36	18	270
SIZE	A	B	C	D	d0	L	ISO5211	K	E	4-d	D0	N-M	HXH	&°	Weight(KG)